

VIDEO CONVERTER FOR AUTOMOTIVE VIDEO LINKS

Driving of Automotive Video Link Components

Serializer Products

The answer to your challenges is here ▶

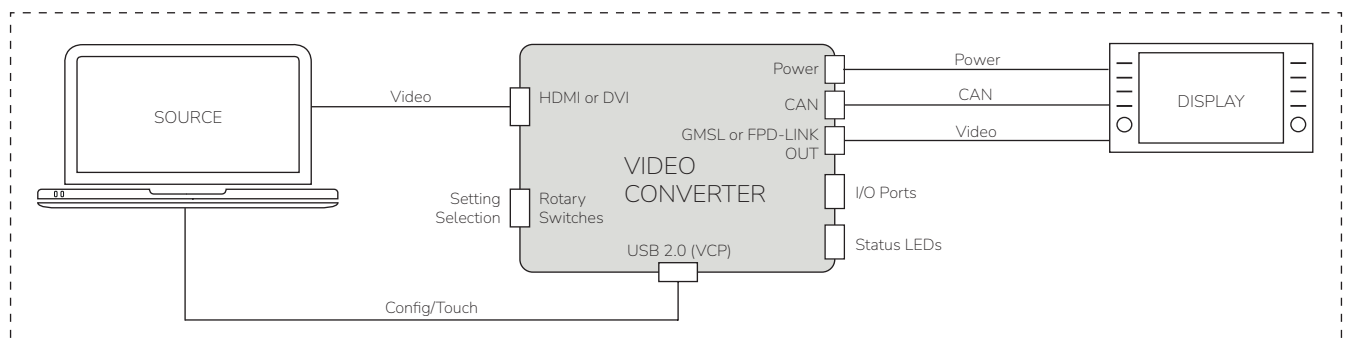
Video Data Driving for inputs with Automotive Video Link



Features

- ▶ Generate a video signal for a new Automotive Display in less than 10 minutes
- ▶ All-in carefree package: tools, cables and parameters included
- ▶ Pre-configuration and Plug&Play support included
- ▶ Easy adaptable to new use-cases
- ▶ High compatibility with standard graphic cards
- ▶ Applicable to Display, HEAD-Unit and ECU validation, laboratory, rack and in-car testing
- ▶ Wide variety of TZ add-on products

General Device Structure



Key Features

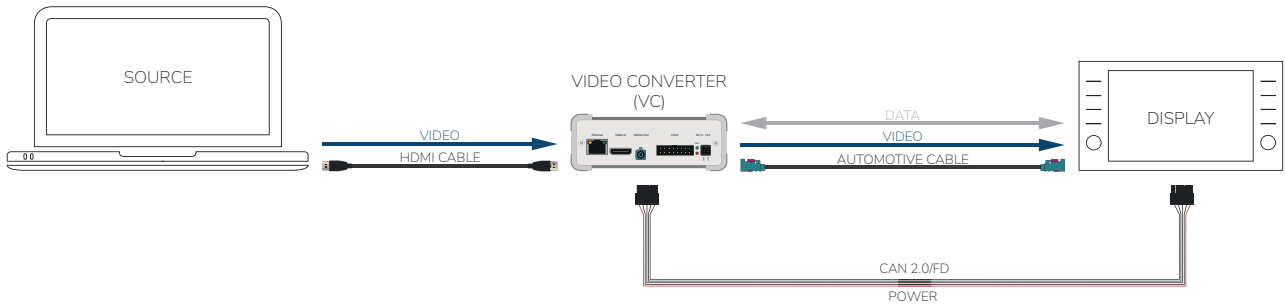
- ▶ Easy video driving of automotive displays
- ▶ Available for Video Links GMSL, GMSL2, GMSL3, FPD-Link III, FPD-Link IV
- ▶ Support of full serializer link bandwidth
- ▶ Support of USB-HID touch - using the connected touch display as touch input for the PC
- ▶ Built-in control channel master for register access of the SerDes over USB (VCP)
- ▶ External access to serializer pins like I2C, GPIO or UART
- ▶ Up to 80 pre-configured settings plus 20 user defined settings for different link settings, resolutions
- ▶ TZ GUI for simple and quick settings configuration and easy firmware updates
- ▶ Available for various output connector types
- ▶ Built-in CAN Emulator

Typical Customer Applications

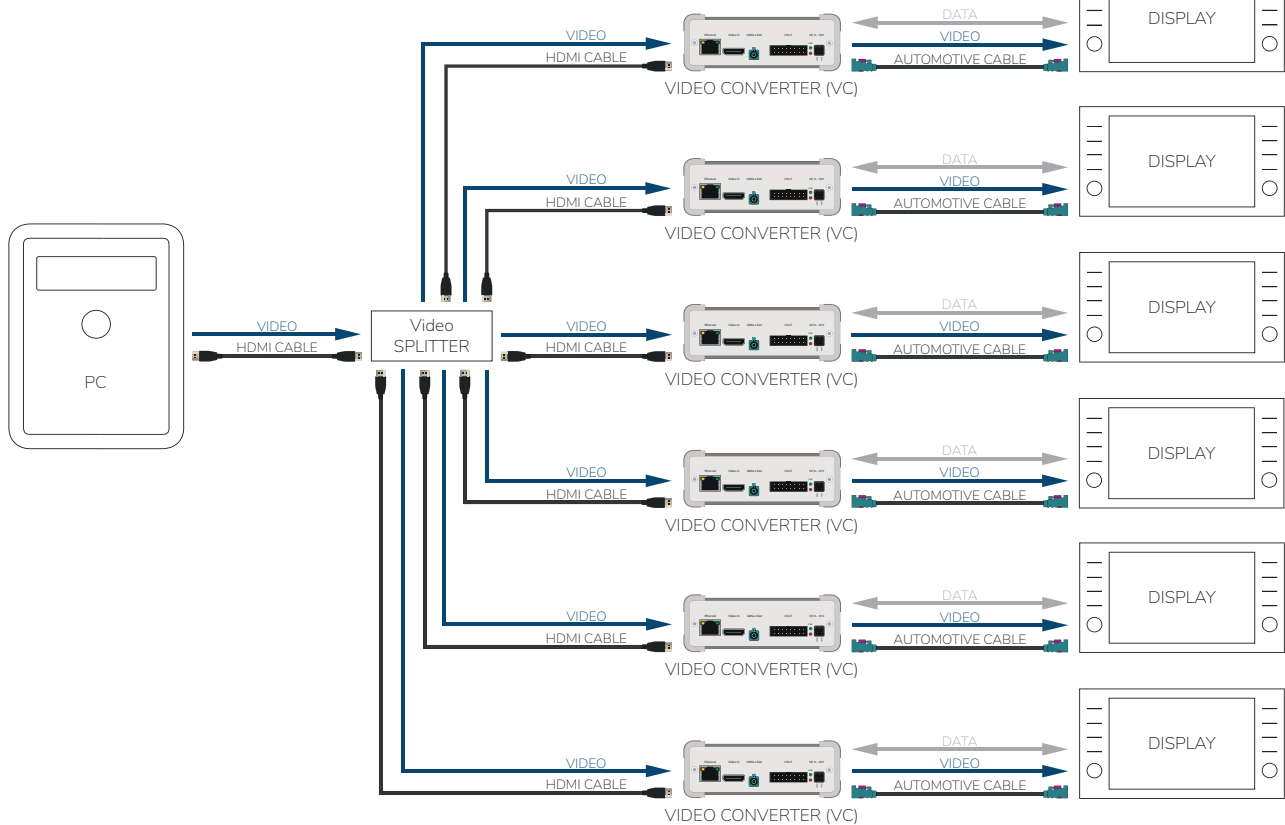
- ▶ Easy testing at users working desk
- ▶ Hardware in the loop tests
- ▶ Environmental tests, product and design validation
- ▶ End of line testing
- ▶ Rearview- and side mirror driving, display driving

Use Cases

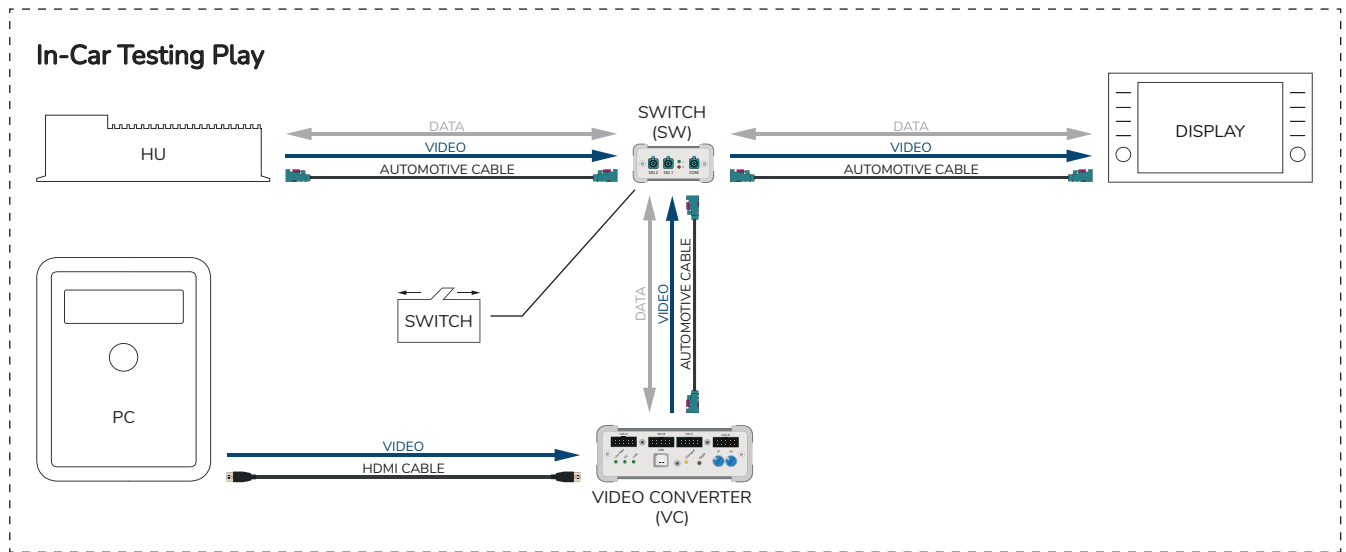
Display Driving



HIL Testing Play



Use Cases



Technical Data

PC interface (configuration)	USB 2.0 (VCP)
Power supply	+12V (DC)

Video Converter Variations

Part No	Technology	Input Connector	Output Connector	Features
VC0046	GMSL2	HDMI v1.4b/v2.0a	FAKRA	
VC0606	GMSL2	HDMI v1.4b/v2.0a	H-MTD	
VC0246	GMSL2	DP1.4	FAKRA	Vesa DSC
VC0706	GMSL2	HDMI v1.4b/v2.0a	HSD	
VC2106	GMSL3	DP1.4	H-MTD	
VC2206	GMSL3	DP1.4	FAKRA	
VC0056	FPD-Link III	HDMI v1.4b	HSD	
VC1106	FPD-LINK IV	DP1.4	H-MTD	



VC0046



VC0606



VC0246



VC0706



VC2106



VC2206



VC0056



VC1106

Suitable Add-on Products

Part No	Description
SW0081	2.1 FAKRA Switch
SW0030	2:1 HSD Switch



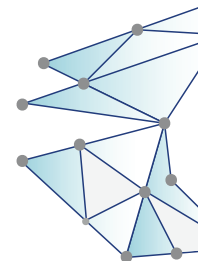
SW0081



SW0030



we empower
automotive video
innovations



TZ Electronic Systems GmbH
75223 Niefern-Öschelbronn
www.tz-es.com

General Inquiries
info@tz-es.com
+49 7233 – 958 99 45
Availability by telephone:
Monday through Thursday,
8 a.m. to 4 p.m.
Friday 8 to noon

Sales
sales@tz-es.com
+49 7233 – 958 99 64
Availability by telephone:
Monday through Thursday,
9 a.m. to 4 p.m.
Friday 9 to noon

Support
support@tz-es.com