

# VIDEO CONVERTER FOR AUTOMOTIVE VIDEO LINKS

Converting Automotive Video Links  
to digital consumer video world

Deserializer Products

# The answer to your challenges is here

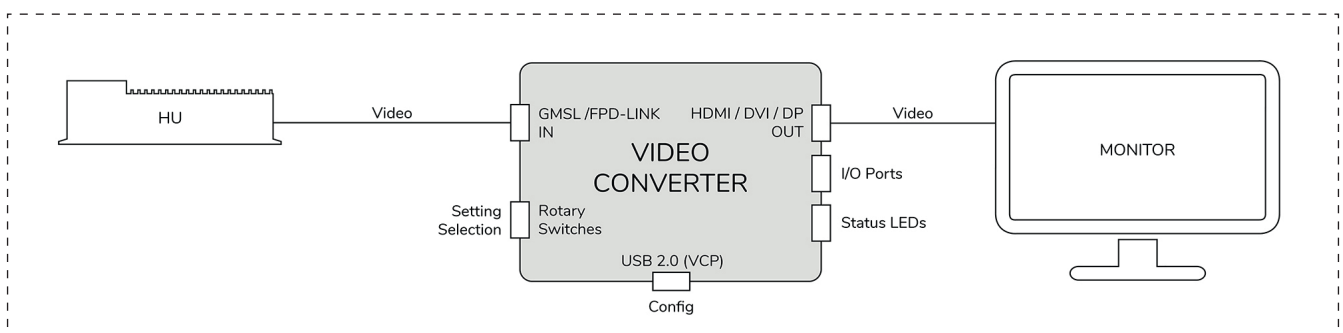
Converting Automotive Video Links to the digital consumer video world



## Features

- ▶ Generate a HDMI / DVI / DP signal from a new Automotive Video Link source in less than 10 minutes
- ▶ All-in carefree package: tools, cables and paramteres included
- ▶ Pre-configuration and Plug&Play support included
- ▶ Easy adaptable to new use-cases
- ▶ Applicable to HEAD-Unit, ECU and camera validation, laboratory, rack and in-car testing
- ▶ Wide variety of TZ add-on products

## General Device Structure



## Key Features

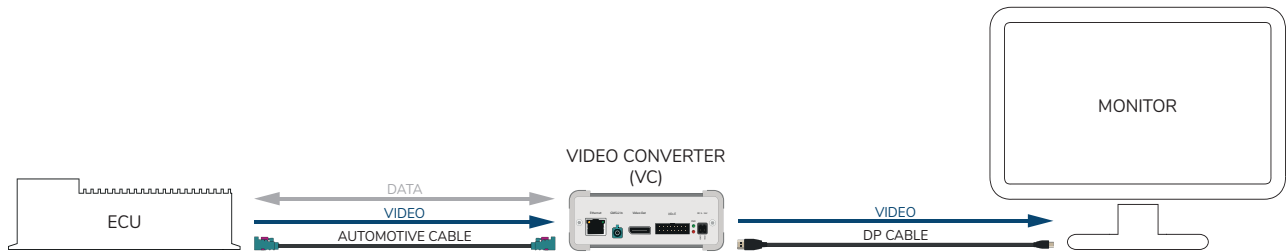
- ▶ Easy conversion of an Automotive Video Link to consumer interfaces like DVI / HDMI / DP
- ▶ Available for Maxim GMSL, GMSL2, GMSL3, TI FPD-Link III, FPD-Link IV
- ▶ Support of full deserializer link bandwidth
- ▶ Built-in control channel master for register access of the SerDes over USB (Virtual Com-Port)
- ▶ External access to deserializer pins like I2C, GPIO or UART for the usage with host adapters e.g. Aardvark
- ▶ Up to 80 pre-configured settings plus 20 user defined settings for different link settings, resolutions and color formats
- ▶ TZ GUI for simple and quick settings configuration and easy firmware updates

## Typical Customer Applications

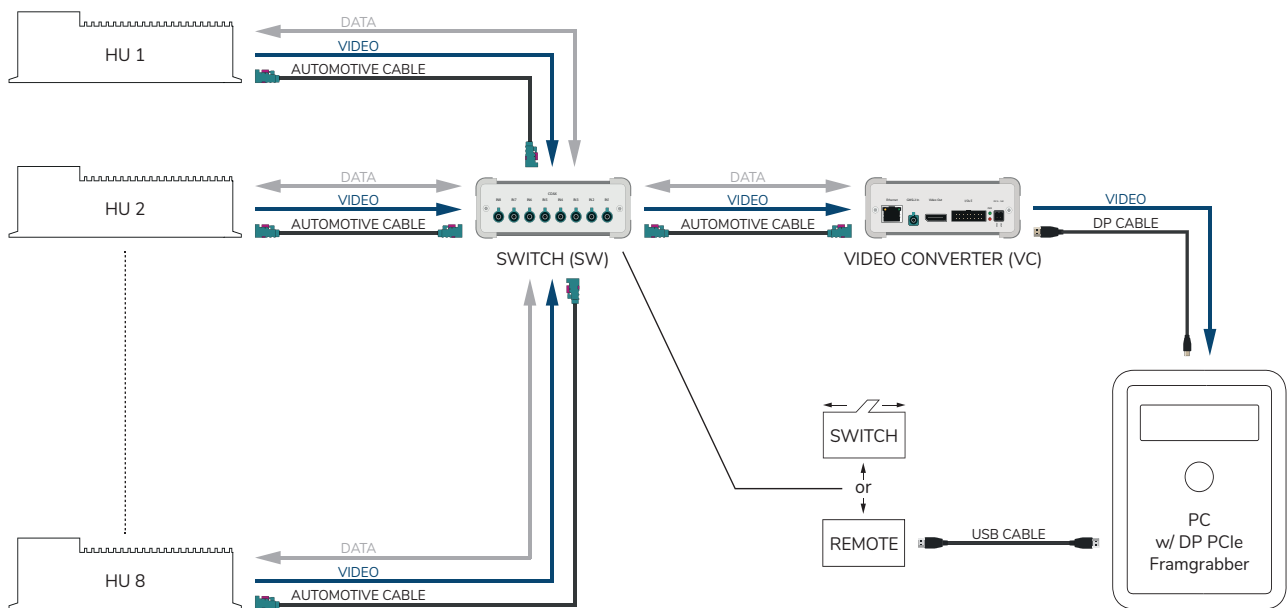
- ▶ Easy testing at users working desk
- ▶ Video Recording in experimental vehicles
- ▶ Hardware in the loop tests
- ▶ Environmental tests
- ▶ End of the line testing

# Use Cases

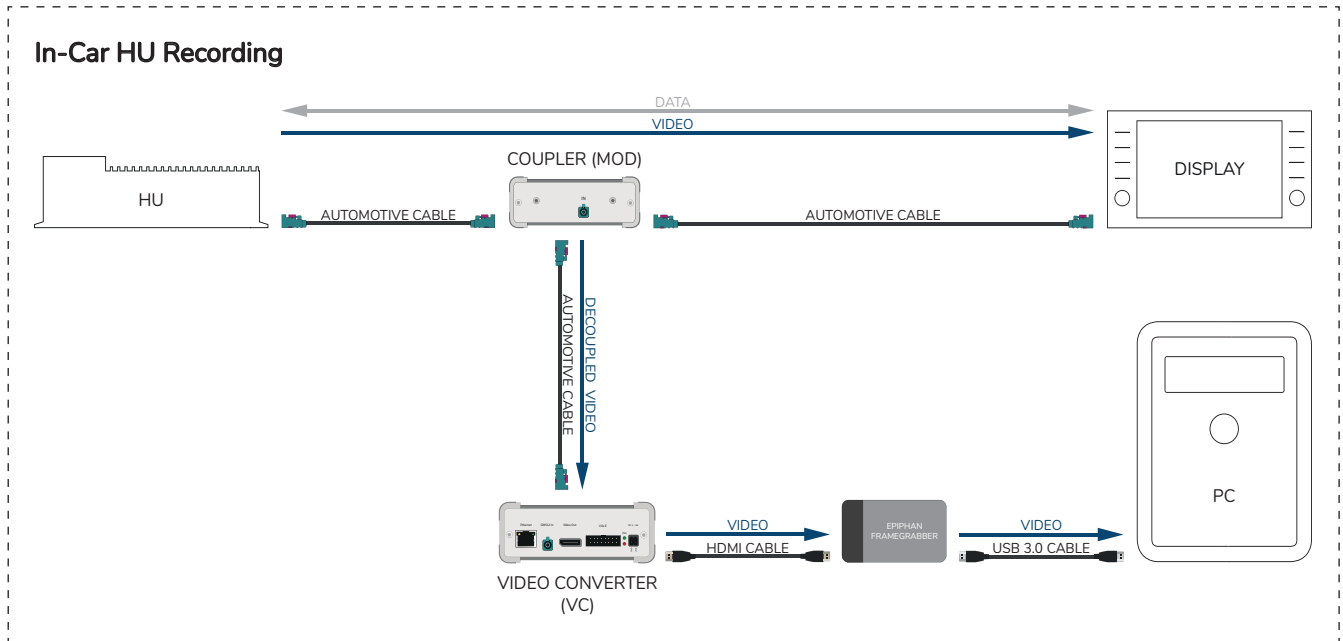
## ECU Visualization



## Enviromental HU Testing



## Use Cases



## Technical Data

PC interface (configuration)	USB 2.0 (VCP)
Power supply	12V (DC)
Temperature range	0°C...70°C

## VC.Deserializer Ultimate Edition

Part No	Technology	Input Connector	Output Connector	Features
VC0316	GMSL2	FAKRA	DP	Vesa DSC
VC2706	GMSL3	FAKRA	DP	Vesa DSC
VC0663	GMSL2	H-MTD	HDMI	
VC1706	FPD-Link IV	FAKRA	DP	
VC1606	FPD-Link IV	H-MTD	DP	



VC0316



VC2706



VC0663

VC1706

VC1606

## VC.Deserializer Pro Edition

Part No	Technology	Input Connector	Output Connector	Features
VC0113	GMSL1/2	FAKRA	DP	
VC2603	GMSL3	H-MTD	DP	



VC0113



VC2603

## Video Converter Legacy Products (NRFND)

Part No	Technology	Deserializer	Input Connector	Output Connector	Color Space
VC0060	GMSL	MAX9260	Rosenberger HSD	DVI	RGB888
VC0070	GMSL	MAX9260	Rosenberger HSD & FAKRA	DVI	RGB888
VC0080	GMSL	MAX9276	FAKRA	DVI	RGB888
VC0090	GMSL	MAX9276	Rosenberger HSD & JAE-MX	DVI	RGB888
VC0120	GMSL2	MAX96752	FAKRA	HDMI	RGB888
VC0141	FPD-Link III	DS90UB926	Rosenberger HSD	DVI	RGB888
VC0150	FPD-Link III	DS90UB914A	FAKRA	HDMI	YUV422 BT.656
VC0160	FPD-Link III	DS90UB914A	FAKRA	HDMI	YUV422 BT.601



VC0060



VC0070



VC0080



VC0090



VC0120



VC0141



VC0150



VC0160

### Please note:

We continue to supply our legacy products (NRFND) to our existing customers. Products labeled as NRFND will no longer receive software updates or feature enhancements. Please contact our sales department, who will be able to provide you with information on successor products.

## Suitable Add-on Products

Part No	Description
SW0081	2.1 FAKRA Switch
SW0030	2:1 HSD Switch



SW0081

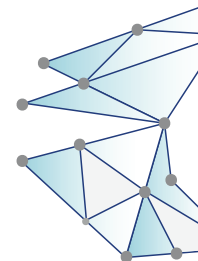


SW0030





we empower  
automotive video  
innovations



TZ Electronic Systems GmbH  
75223 Niefern-Öschelbronn  
[www.tz-es.com](http://www.tz-es.com)

General Inquiries  
[info@tz-es.com](mailto:info@tz-es.com)  
+49 7233 – 958 99 45  
Availability by telephone:  
Monday through Thursday,  
8 a.m. to 4 p.m.  
Friday 8 to noon

Sales  
[sales@tz-es.com](mailto:sales@tz-es.com)  
+49 7233 – 958 99 64  
Availability by telephone:  
Monday through Thursday,  
9 a.m. to 4 p.m.  
Friday 9 to noon

Support  
[support@tz-es.com](mailto:support@tz-es.com)