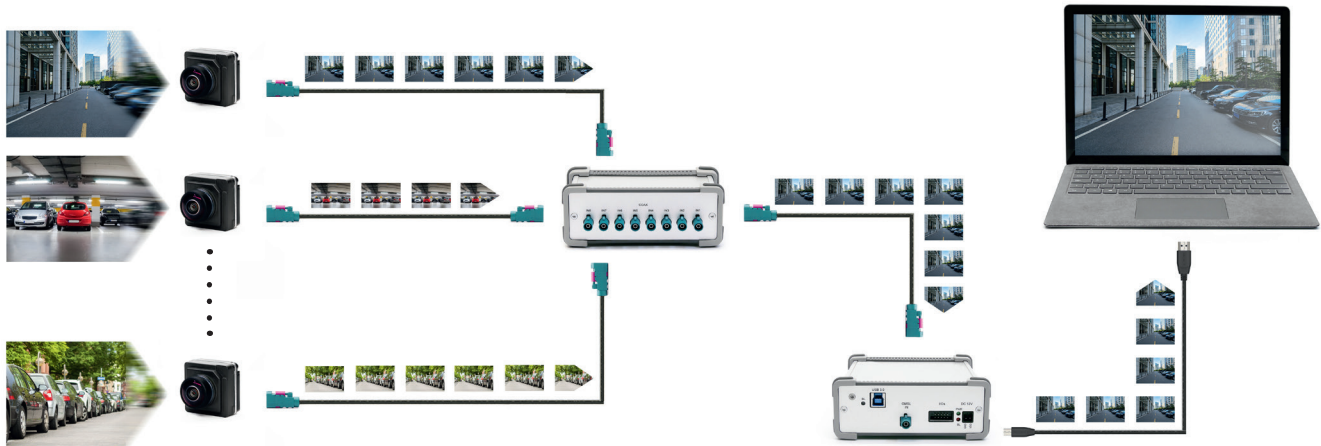


SWITCHES

Remote control switching of automotive video links

The answer to your challenges is here

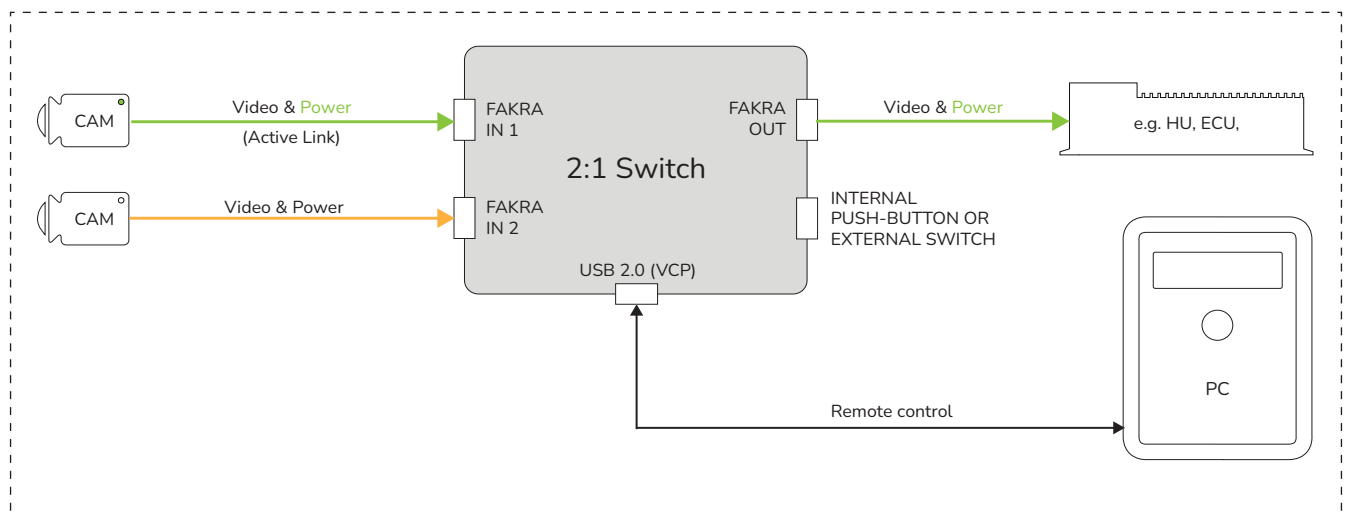
Remote control switching of automotive video links



Features

- ▶ Remote control switching
- ▶ Remote control via Toggle Switch or USB command
- ▶ Wide variety of TZ add-on products

General Device Structure



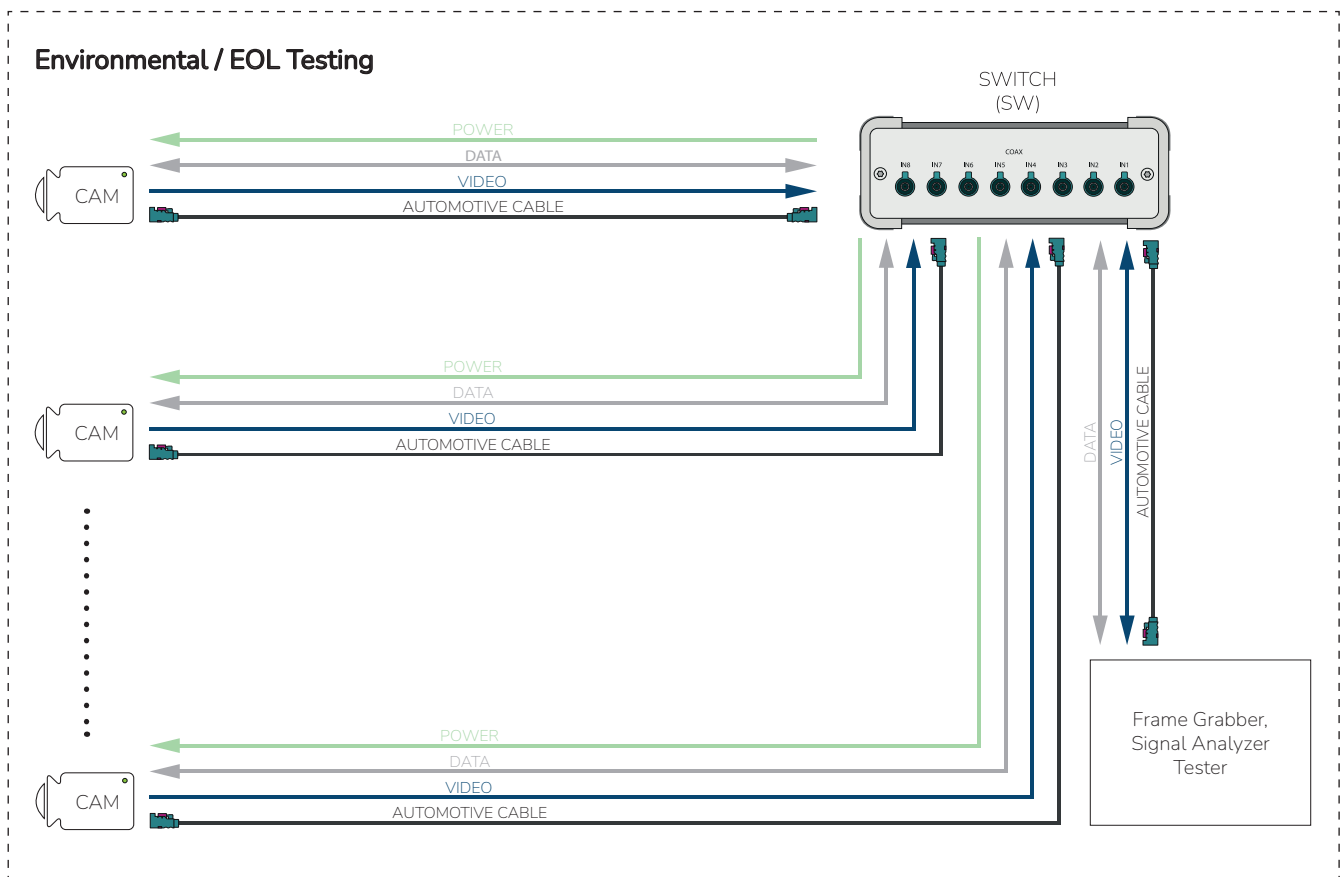
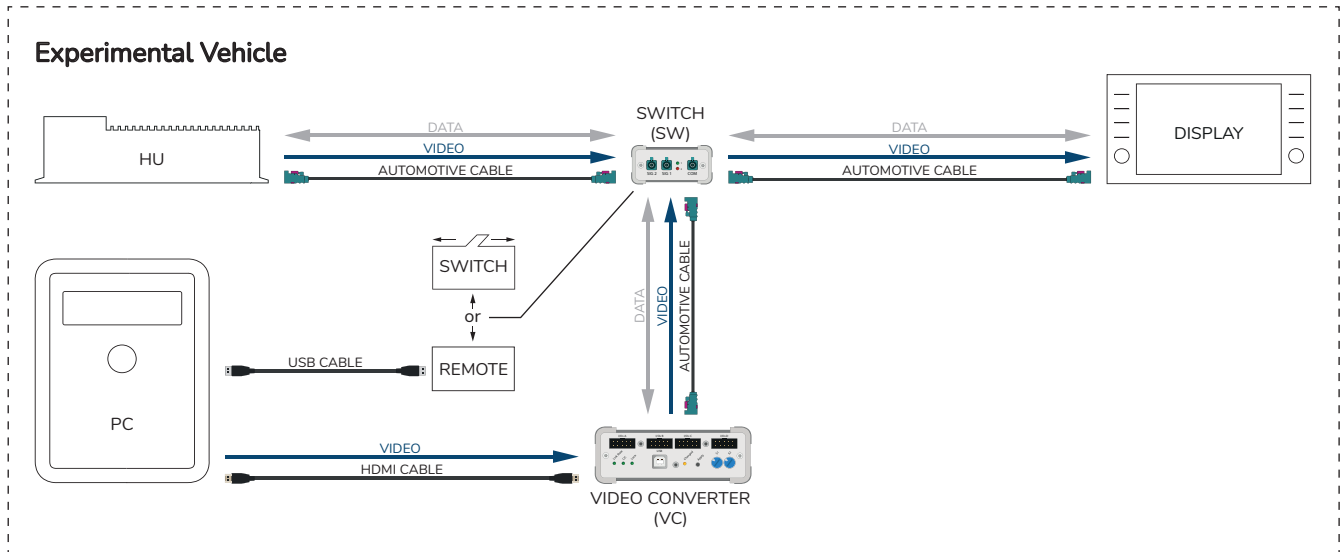
Key Features

- ▶ For high and low speed applications, optimized for automotive video link
- ▶ Pass-through of power over video link
- ▶ Minimal losses between in- and output
- ▶ No latency between in- and output

Typical Customer Applications

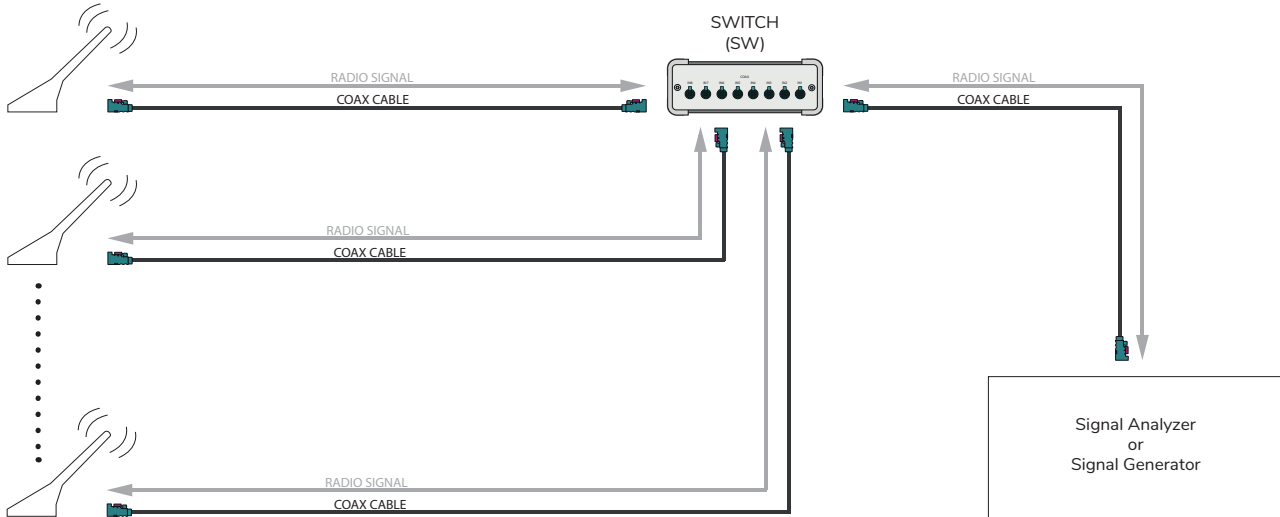
- ▶ Switching of multiple sources to one sink in experimental vehicle
- ▶ Automated hardware in the loop testing
- ▶ Environmental testing under same conditions for multiple devices without test setup modification
- ▶ PV Product Validation + DV Device Validation

Use Cases

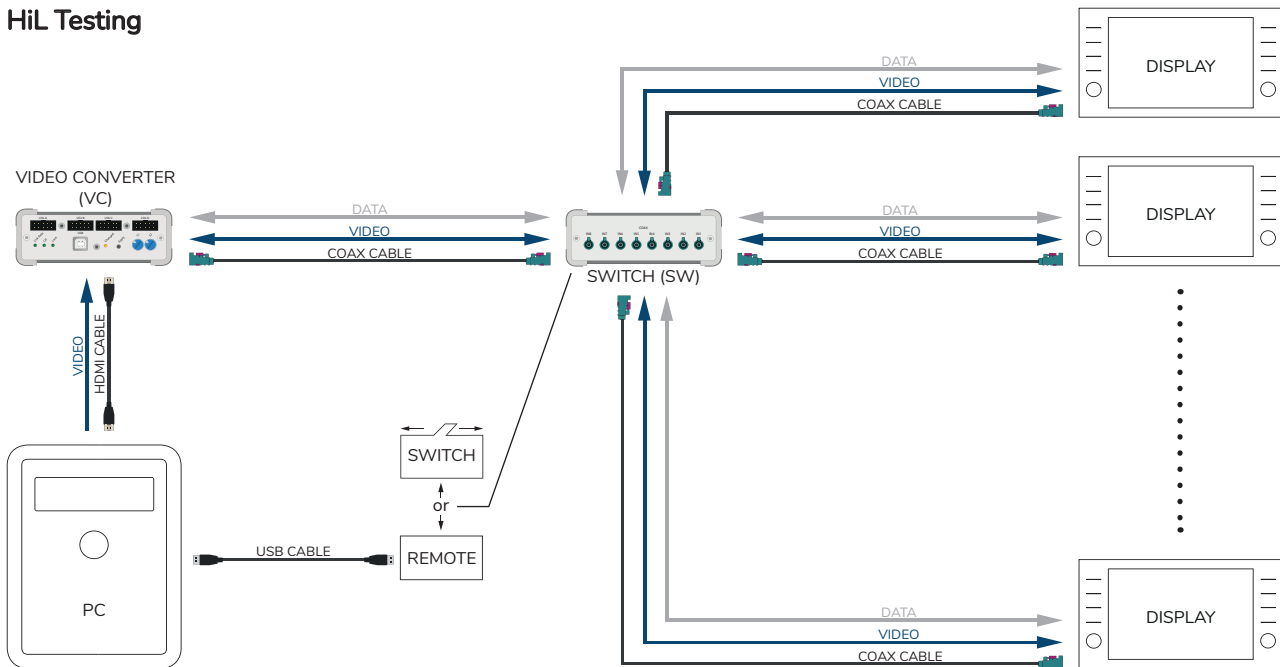


Use Cases

Antenna and Radio Signal Testing





HiL Testing



Technical Data

PC Interface (configuration)	USB 2.0 (Virtual COM-Port)
Automotive Video Links	GMSL1, GMSL2, GMSL3, FPD-Link III
Power Supply	12 V (DC)

Switch Variations

Part No	Connector	Features	
SW0013	Rosenberger HSD	8:1	1:8 
SW0030	Rosenberger HSD	2:1	1:2 
SW0081	FAKRA	2:1	1:2
SW0090	FAKRA	8:1	1:8
SW0400	H-MTD	8:1	1:8
SW0410	H-MTD	2:1	1:2



SW0013



SW0030



SW0081




SW0090





SW0400





SW0410

 1:8 Switch

 8:1 Switch

 2:1 Switch

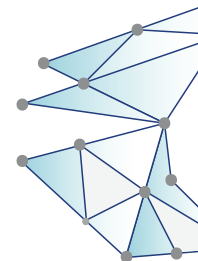
 1:2 Switch

 Power over COAX supply

 Dual Link



we empower
automotive video
innovations



TZ Electronic Systems GmbH
75223 Niefern-Öschelbronn
www.tz-es.com

General Inquiries
info@tz-es.com
+49 7233 – 958 99 45
Availability by telephone:
Monday through Thursday,
8 a.m. to 4 p.m.
Friday 8 to noon

Sales
sales@tz-es.com
+49 7233 – 958 99 64
Availability by telephone:
Monday through Thursday,
9 a.m. to 4 p.m.
Friday 9 to noon

Support
support@tz-es.com